



Model Number

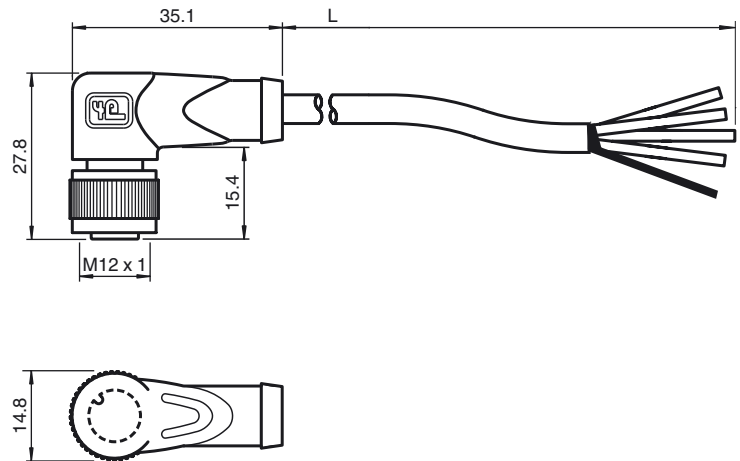
V1-W-2M-PUR-ABG

Female cordset, M12, 4-pin, shielded, PUR cable

Features

- Knurled nut suitable for tool assembly
- Immunity to vibration, with mechanical latching
- Shield attached to coupling nut
- Gold plated contacts
- Degree of protection IP67 / IP68 / IP69K
- Halogen-free

Dimensions



Technical data

General specifications

Number of pins 4

Electrical specifications

Operating voltage U_B max. 250 V AC/DC
 Operating current I_B max. 4 A
 Volume resistance $< 5 \text{ m}\Omega$

Ambient conditions

Ambient temperature Body: -40 ... 90 °C (-40 ... 194 °F)
 cable, flexing: -25 ... 80 °C (-13 ... 176 °F)
 cable, fixed: -25 ... 80 °C (-13 ... 176 °F)

Pollution Degree 3

Mechanical specifications

Contact elements spring-loaded contact socket
 Pin diameter 1 mm
 Degree of protection IP67

Material

Contacts CuSn / Au
 Contact surface Au
 Body TPU, black
 Cable PUR
 Slotted nut Diecast zinc
 Core insulation PP
 Cable fine-strand, flexible
 Sheath diameter $\varnothing 4.8 \text{ mm}$
 Bending radius $> 10 \times$ cable diameter, moving
 $5 \times$ cable diameter, single bend

Color grey
 Cores $4 \times 0.34 \text{ mm}^2$
 Conductor construction $19 \times 0.15 \text{ mm } \varnothing$
 Shield grid covering 85 %
 Length L 2 m

Flammability

Contact material HB
 Housing V-2

Compliance with standards and directives

Standard conformity
 Degree of protection EN 60529:2000
 Standards IEC 61076-2-101:2008
 Flammability Grip: UL 94

Electrical connection

